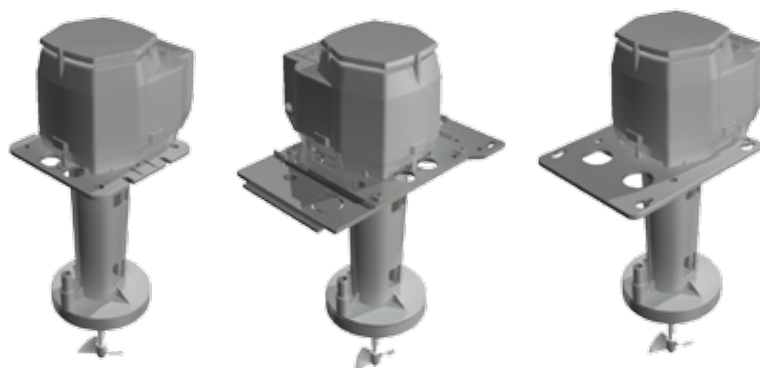
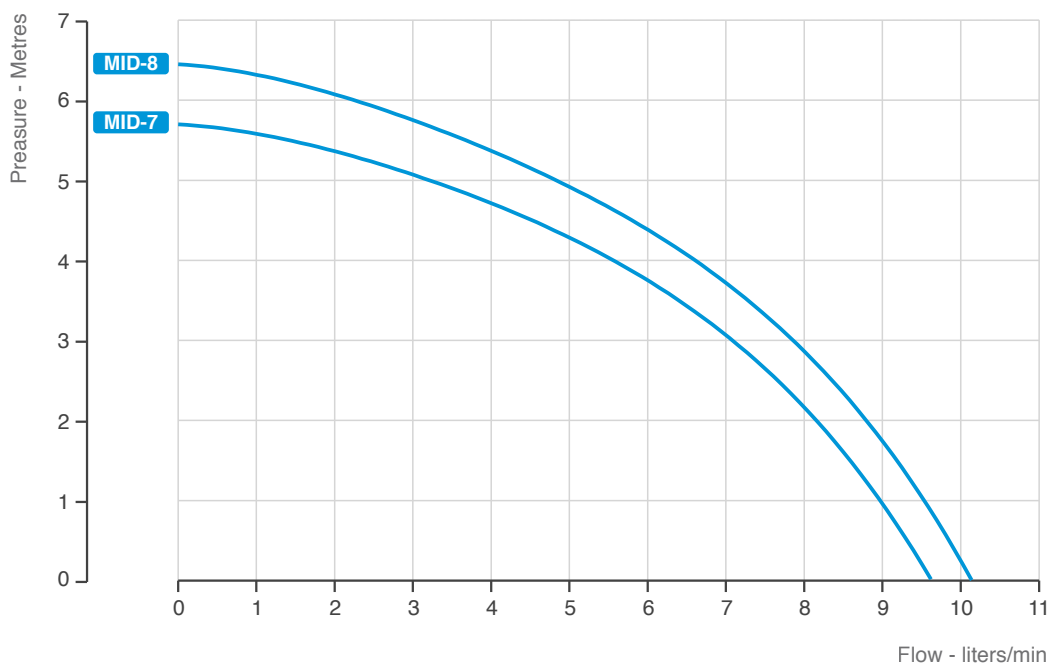
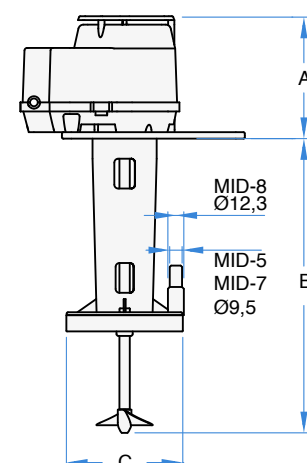
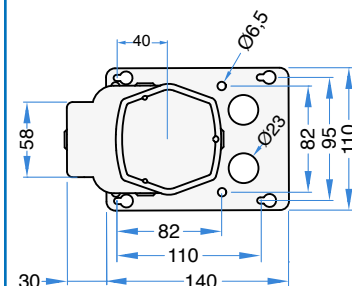
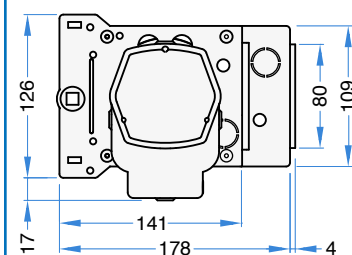
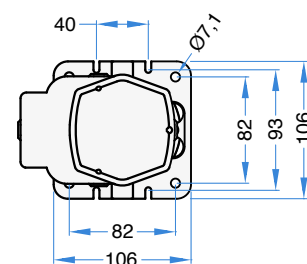


MID agitator-pump series with its small size, is an **economic pump** that can be installed in small or medium refrigerators where **compact dimensions** are required.

- Pump** AGITATOR-PUMP with immersed vertical axis.
- Windings** Single-phase motor with Class F.
- Motor body** Motor covered by plastic shell in PA66 30% glass fiber
- Protection** IP31 degree of protection from liquids seepage.
- Safety** Built-in thermal motor protection system.
- Ball bearings** Ø 8mm NSK, SKF or equivalent, in semi-rigid noise-insulated silicone casing.
- Motor shaft** AISI 303 INOX steel Ø 8mm.
- Fastening parts** INOX steel or anti-oxidant materials.
- Motor parts** Thermoplastic motor parts resistant to high temperature.
- Cooling system** Air cooled pump with a suction speed of 1,6 metre/second.
- Water connection** Compatible with John Guest fittings.
- Operation** Power supply 220 & 230Volts - 24 hours a day non stop.
- Regulations** Complying with EN60335-2-41 and WEEE/RoHs directives.
- Note** Italian PATENTED device. Read the instruction booklet for a correct set up and use.



REGISTERED DESIGN

TYPE	Volt	Hz	Amp	Watt (IN)	Rpm	A	B	C	Propeller Ø (mm)	Weight Kg
MID-7	230	50	0,60	64	2750	96	185	78	50 2 Blades x15°	1,80
MID-8	230	50	0,61	68	2700	96	220	90	50 2 Blades x15°	1,90